

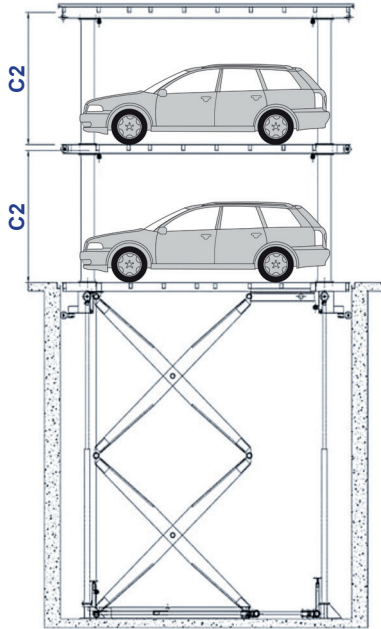
# STORE-DOUBLE

## ▶ Car Lift

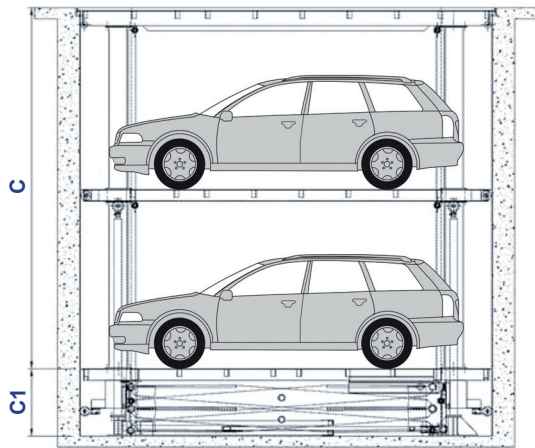
### Technical specification

N° of cylinders	5
Maximum load with roof (kg)	5000
(HP/KW) Motor	Min. 7.5 / 5.5
Estimated Speed (cm/s)	6 / 8

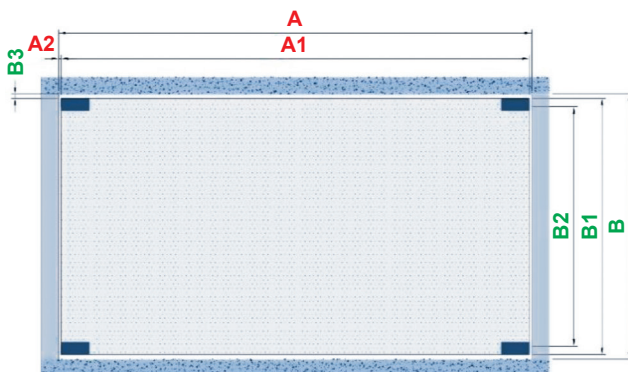
### ▶ MODEL WITHOUT DRIVER ON BOARD



Section view – UP



Section view – DOWN



Plant Dimensions

### ▶ DIMENSIONS FOR STANDARD MACHINE

Definition	Ref.	Max (mm)
Pit length	A	5600
Flatbed length	A1	5550
Wall distance	A2	25
Pit width	B	2800
Flatbed width	B1	2750
Clear passage	B2	2400
Wall distance	B3	25
Stroke	C	4500
Extra pit	C1	910
Clear passage	C2	2100



### Ex. DRAINAGE CHANNEL ROOF X mm

More details on other specific sheet

